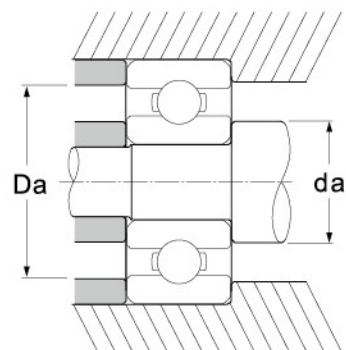
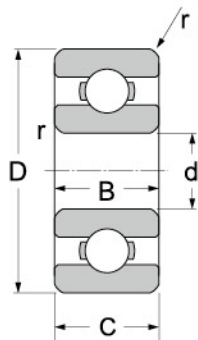


深沟球轴承

60 系列

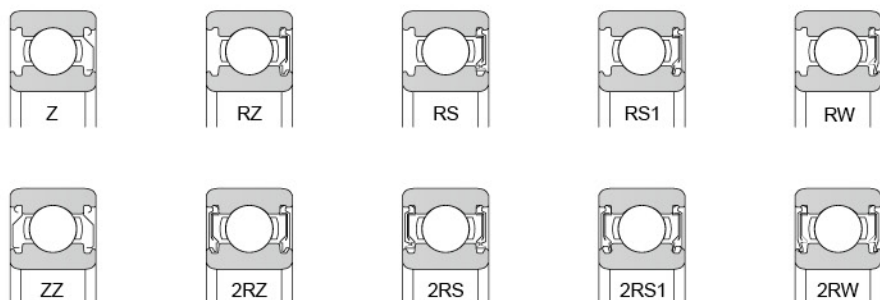


轴承 型号	主要尺寸			推荐安装尺寸				额定基本负荷		因素 f_0	极限转速 (rpm)			重量 kg
	d mm	D mm	B, C mm	$r_{(最小)}$ mm	$da_{(最小)}$ mm	$da_{(最大)}$ mm	$Da_{(最大)}$ mm	C_r KN	C_{or} KN		脂 ZZ	油 2RS	油 OPEN	
604	4	12	4	0.2	5.4	6.6	10.6	0.757	0.323	10.0	47000	41000	55000	0.0025
605	5	14	5	0.2	6.6	7.4	12.4	0.891	0.332	11.0	41000	39000	51000	0.0040
606	6	17	6	0.3	8.0	8.6	15.0	2.472	0.994	12.0	38000	34000	45000	0.0060
607	7	19	6	0.3	9.0	10.4	17.0	2.759	1.113	13.0	35000	30000	42000	0.0075
608	8	22	7	0.3	10.0	12.2	20.0	3.468	1.440	12.0	32000	27000	38000	0.0115
609	9	24	7	0.3	11.0	13.1	22.0	3.472	1.416	13.0	31000	25000	37000	0.0140
6000	10	26	8	0.3	12.0	13.5	24.1	4.851	2.195	12.4	30000	24000	36000	0.0185
6001	12	28	8	0.3	14.0	16.0	26.0	5.610	2.810	13.2	29000	23000	33000	0.0205
6002	15	32	9	0.3	17.0	19.0	30.0	6.100	3.370	13.9	25000	21000	29000	0.0300
6003	17	35	10	0.3	19.0	21.5	33.0	6.510	3.870	14.4	23000	18000	26000	0.0390
6004	20	42	12	0.6	24.0	26.0	38.0	10.110	5.970	13.9	18000	15000	21000	0.0660
60/22	22	44	12	0.6	25.0	27.0	41.0	12.720	7.740	13.9	17000	12500	20000	0.0680
6005	25	47	12	0.6	29.0	30.5	43.0	10.710	6.970	14.5	16000	12000	19000	0.0760
60/28	28	52	12	0.6	31.0	33.0	49.0	13.260	8.780	14.0	16000	10000	24000	0.0950
6006	30	55	13	1.0	35.0	37.0	50.0	14.270	9.870	14.8	13000	10000	15000	0.1100
6007	35	62	14	1.0	40.0	42.0	57.0	16.890	12.230	14.8	12000	9000	14000	0.1460
6008	40	68	15	1.0	45.0	47.5	63.0	17.560	13.380	15.3	10000	8000	12000	0.1830
6009	45	75	16	1.0	50.0	53.5	70.0	22.900	16.160	15.3	9200	7500	11000	0.2290
6010	50	80	16	1.0	55.0	58.5	75.0	24.830	18.610	15.6	8400	6900	9800	0.2390
6011	55	90	18	1.1	61.5	64.2	83.5	30.210	25.290	15.3	7700	6500	9000	0.3560
6012	60	95	18	1.1	66.5	69.1	88.5	33.460	25.960	15.6	7100	5900	8300	0.3810
6013	65	100	18	1.1	71.5	74.0	93.5	34.120	29.720	15.8	6700	5300	8000	0.3950
6014	70	110	20	1.1	76.5	80.5	103.5	41.200	34.530	15.6	6300	5000	7100	0.5750
6015	75	115	20	1.1	81.5	85.6	108.5	44.500	36.700	15.8	5800	4700	7000	0.6060
6016	80	125	22	1.1	86.5	91.5	118.5	50.700	47.400	15.6	5500	4400	6500	0.8480
6017	85	130	22	1.1	91.5	97.0	123.5	52.500	51.300	15.8	5300	4000	6300	0.8430
6018	90	140	24	1.5	98.0	102.0	132.0	65.900	55.300	15.6	5000	3700	6000	1.1400
6019	95	145	24	1.5	103.0	109.0	137.0	63.700	54.000	15.8	4700	...	5500	1.0800
6020	100	150	24	1.5	108.0	110.0	142.0	63.700	54.000	15.9	4500	...	5500	1.1500
6021	105	160	26	2.0	114.0	119.0	151.0	76.100	65.500	15.8	4200	...	5000	1.5900
6022	110	170	28	2.0	119.0	126.0	161.0	85.200	73.500	15.5	4000	...	4700	1.9600
6024	120	180	28	2.0	129.0	136.0	171.0	88.400	80.000	15.7	3800	...	4500	2.0700
6026	130	200	33	2.0	139.0	148.0	191.0	112.000	101.000	15.8	3200	...	3800	3.1600

★本公司保留修改表中技术规则和其它数据的权利。

16000 系列

能满足任何密封形式的组合

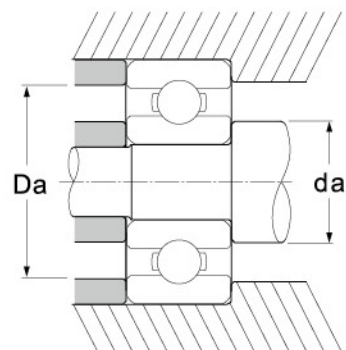
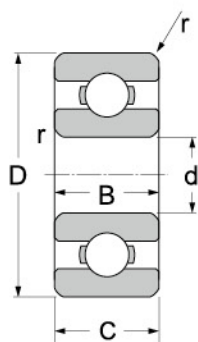


轴承 型号	主要尺寸			推荐安装尺寸				额定基本负荷		因素 f_0	极限转速 (rpm)			重量 kg
	d mm	D mm	B, C mm	r (最小) mm	da (最小) mm	da (最大) mm	Da (最大) mm	C_r KN	C_{or} KN		脂 ZZ	油 2RS	油 OPEN	
16001	12	28	7	0.3	14.0	16.0	26.0	5.300	2.427	13.20	27000	16000	31000	0.0185
16002	15	32	8	0.3	17.0	19.0	30.0	6.100	3.370	14.00	22000	14500	26000	0.0270
16003	17	35	8	0.3	19.0	21.5	33.0	6.520	3.870	14.00	20000	13000	24000	0.0320
16004	20	42	8	0.3	22.0	26.0	40.0	6.830	4.450	15.00	18000	12000	21000	0.0510
16005	25	47	8	0.3	27.0	30.5	45.0	7.410	5.470	15.10	15000	11000	18000	0.0590
16006	30	55	9	0.3	32.0	37.0	53.0	12.960	8.570	15.20	13000	...	15000	0.0830
16006 2RS	30	55	9	0.3	32.0	37.0	53.0	8.160	6.890	16.10	13000	10000	15000	0.0890
16007	35	62	9	0.3	37.0	42.0	59.0	13.260	9.120	15.60	12000	...	14000	0.1070
16007 2RS	35	62	9	0.3	37.0	42.0	59.0	8.860	6.800	16.45	12000	9000	14000	0.1480
16008	40	68	9	0.3	42.0	47.5	66.0	13.460	10.330	16.00	10000	...	12000	0.1250
16009	45	75	10	0.6	48.2	53.5	71.8	14.230	10.880	16.20	9200	...	11000	0.1710
16010	50	80	10	0.6	53.2	58.5	76.8	16.930	15.550	16.40	8500	...	10000	0.1780
16011	55	90	11	0.6	58.2	64.2	86.8	20.630	17.070	16.20	7700	...	9000	0.2550
16012	60	95	11	0.6	63.2	69.1	91.8	21.910	17.980	16.30	7100	...	8500	0.2760
16013 2RS	65	100	11	0.6	69.0	75.0	96.0	17.370	15.620	16.30	6600	5300	8000	0.4400

★本公司保留修改表中技术规则和其它数据的权利。

深沟球轴承

62 系列

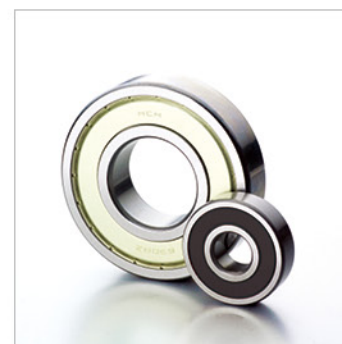
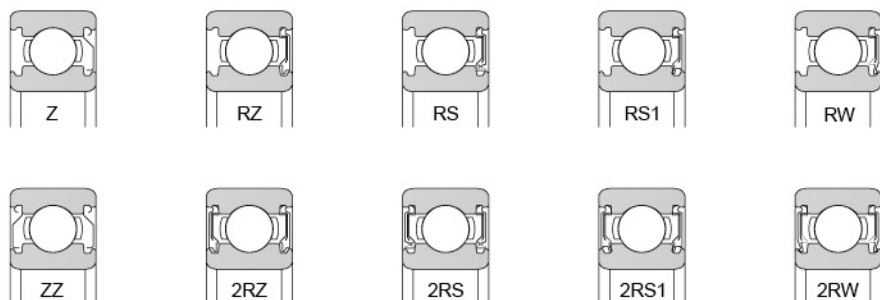


轴承 型号	主要尺寸			推荐安装尺寸				额定基本负荷		因素 f_0	极限转速 (rpm)			重量 kg
	d mm	D mm	B, C mm	$r_{(最小)}$ mm	$da_{(最小)}$ mm	$da_{(最大)}$ mm	$Da_{(最大)}$ mm	C_r KN	C_{or} KN		脂 ZZ	油 2RS	油 OPEN	
623	3	10	4	0.15	4.2	4.8	8.8	0.681	0.254	12.9	50000	50000	58000	0.0016
624	4	13	5	0.20	5.6	6.2	11.4	0.891	0.332	7.3	42000	35000	50000	0.0035
625	5	16	5	0.30	7.0	7.6	14.0	2.093	0.806	8.4	37000	32000	44000	0.0050
626	6	19	6	0.30	8.0	9.5	17.0	2.759	1.113	13.0	34000	30000	41000	0.0080
627	7	22	7	0.30	9.0	12.2	20.0	3.468	1.440	12.0	32000	28000	37000	0.0125
628	8	24	8	0.30	10.0	12.1	21.8	3.472	1.416	13.0	31000	27000	36000	0.0170
629	9	26	8	0.30	11.5	13.0	23.8	4.851	2.195	12.0	27000	22000	32000	0.0190
6200	10	30	9	0.60	12.7	16.0	26.0	5.304	2.472	13.2	25000	18000	30000	0.0305
6201	12	32	10	0.60	14.7	17.0	28.0	7.480	3.620	12.7	23000	17000	28000	0.0350
6201-1/2	12.7	32	10	0.60	15.1	17.0	28.0	7.480	3.620	12.3	23000	17000	28000	0.0360
6202	15	35	11	0.60	17.9	20.0	31.0	8.310	4.430	13.2	20000	15000	25000	0.0430
6202-5/8	15.875	35	11	0.60	18.5	19.0	31.0	8.310	4.430	13.2	20000	15000	25000	0.0460
6202-16	16	35	11	0.60	18.8	19.0	31.0	8.310	4.430	13.2	20000	15000	25000	0.0460
6203	17	40	12	0.60	20.0	23.5	36.0	9.570	4.790	13.2	18000	14000	22000	0.0640
6203-5/8	15.875	40	12	0.60	19.1	23.5	36.0	9.570	4.790	13.2	18000	14000	22000	0.0650
6204	20	47	14	1.00	24.6	28.0	42.0	13.960	7.930	13.2	16000	11000	18000	0.1000
62/22	22	50	14	1.00	27.0	29.5	45.0	12.640	7.710	13.5	14000	10000	17000	0.1150
6205	25	52	15	1.00	30.0	32.0	47.0	15.100	9.350	13.9	13000	9900	16000	0.1230
62/28	28	58	16	1.00	32.0	34.0	54.0	22.020	13.970	13.5	12000	9000	14000	0.1650
6206	30	62	16	1.00	35.0	39.0	57.0	20.970	13.440	13.8	12000	8600	14000	0.1950
6207	35	72	17	1.10	41.0	45.0	65.5	29.390	18.250	13.8	10000	7100	12000	0.2650
6208	40	80	18	1.10	46.0	51.0	73.5	31.510	25.800	14.0	8800	6600	10000	0.3580
6209	45	85	19	1.10	51.0	55.5	78.5	35.620	24.280	14.4	7800	6300	9200	0.3960
6210	50	90	20	1.10	56.0	60.0	83.5	38.030	27.690	14.4	7100	6000	8300	0.4470
6211	55	100	21	1.50	62.0	67.0	92.0	51.800	37.700	14.3	6400	5400	7600	0.5880
6212	60	110	22	1.50	68.0	75.0	102.0	56.000	42.800	14.3	6000	4900	7300	0.7610
6213	65	120	23	1.50	73.0	80.5	112.0	61.990	47.850	14.4	5500	4500	7000	0.9440
6214	70	125	24	1.50	78.0	85.0	117.0	64.600	53.300	14.5	5100	4200	6100	1.0760
6215	75	130	25	1.50	83.0	90.5	122.0	70.200	58.500	14.7	4800	3900	5600	1.1500
6216	80	140	26	2.00	89.0	95.5	131.0	73.400	65.400	14.6	4500	3600	5300	1.4420
6217	85	150	28	2.00	94.0	103.0	141.0	88.200	75.900	14.5	4300	...	5000	1.7900
6218	90	160	30	2.00	99.0	109.0	151.0	96.060	71.560	14.5	4000	...	4800	2.1500
6219	95	170	32	2.10	106.0	116.0	159.0	114.000	82.000	14.4	3800	...	4500	2.6200
6220	100	180	34	2.10	111.0	122.0	169.0	127.000	93.000	14.4	3600	...	4300	3.1400
6221	105	190	36	2.10	116.0	125.0	179.0	146.000	105.000	14.4	3400	...	4000	3.7000
6222	110	200	38	2.10	121.0	132.0	189.0	151.000	118.000	14.3	3200	...	3800	4.3600

★本公司保留修改表中技术规则和其它数据的权利。

63 系列

能满足任何密封形式的组合

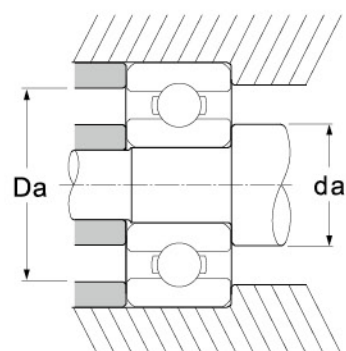
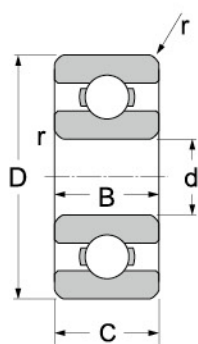


轴承 型号	主要尺寸			推荐安装尺寸				额定基本负荷		因素 f_0	极限转速 (rpm)			重量 kg
	d mm	D mm	B, C mm	r (最小) mm	da (最小) mm	da (最大) mm	Da (最大) mm	C_r KN	C_{or} KN		脂 ZZ	油 2RS	油 OPEN	
635	5	19	6	0.30	7.0	9.5	17.0	2.759	1.113	13.0	34000	30000	42000	0.0085
636	6	22	7	0.30	8.2	10.0	20.0	2.550	1.370	12.8	32000	28000	38000	0.0140
637	7	26	9	0.30	9.2	11.5	24.0	3.500	2.780	12.9	30000	22000	36000	0.0250
638	8	28	9	0.30	10.0	12.5	26.0	4.851	2.195	13.0	28000	24000	32000	0.0275
639	9	30	10	0.60	13.0	15.0	26.0	3.930	2.230	12.4	25000	20000	30000	0.0360
6300	10	35	11	0.60	14.0	17.0	31.0	8.400	4.120	11.4	23000	17000	27000	0.0530
6301	12	37	12	1.00	16.7	18.5	32.0	8.430	4.170	11.1	21000	16000	25000	0.0630
6302	15	42	13	1.00	19.8	23.0	37.0	12.560	6.460	12.3	19000	13000	22000	0.0800
6303	17	47	14	1.00	22.0	25.5	42.0	14.910	7.820	12.4	16000	11000	19000	0.1100
6304	20	52	15	1.10	25.8	28.5	45.5	17.490	9.380	12.4	14000	10000	17500	0.1400
63/22	22	56	16	1.10	28.5	30.5	49.5	20.430	11.150	12.4	13000	9000	15000	0.1730
63/22A	22	56	15	1.10	28.5	30.5	49.5	20.430	11.150	12.4	13000	9000	15000	0.1730
6305	25	62	17	1.10	31.0	36.0	55.5	24.580	13.700	13.2	12000	8500	14000	0.2200
63/28	28	68	18	1.10	35.0	38.5	61.0	27.200	16.461	13.0	11000	8000	13000	0.2920
63/28A	28	68	17	1.10	35.0	38.5	61.0	27.200	16.461	13.0	11000	8000	13000	0.2960
6306	30	72	19	1.10	36.5	43.0	65.5	29.380	18.180	13.3	10000	7500	12000	0.3250
6307	35	80	21	1.50	42.9	47.0	72.0	36.680	22.980	13.2	8800	6700	10000	0.4260
6308	40	90	23	1.50	48.0	54.0	82.0	44.790	28.630	13.2	7800	6300	9200	0.5980
6309	45	100	25	1.50	53.0	61.5	92.0	57.100	40.200	13.1	7000	6000	8200	0.7920
6310	50	110	27	2.00	59.0	68.5	101.0	63.200	42.100	13.2	6400	5500	7500	1.0250
6311	55	120	29	2.00	64.0	74.0	111.0	77.800	53.000	13.2	5800	4800	6800	1.3560
6312	60	130	31	2.10	71.0	80.5	119.0	90.000	62.160	13.2	5400	4000	6300	1.6670
6313	65	140	33	2.10	76.0	86.0	129.0	101.910	71.390	13.2	5000	3900	6000	2.0660
6314	70	150	35	2.10	81.0	92.5	139.0	114.440	81.100	13.2	4500	3700	5300	2.5260
6315	75	160	37	2.10	86.0	99.0	149.0	124.630	91.770	13.2	4300	3400	5000	3.0170
6316	80	170	39	2.10	91.0	105.0	159.0	133.600	103.100	13.3	4000	...	4800	3.5900
6317	85	180	41	3.00	98.0	112.0	167.0	144.200	115.000	13.3	3800	...	4500	4.2300
6318	90	190	43	3.00	103.0	118.0	177.0	151.000	108.000	13.3	3600	...	4300	4.9100
6319	95	200	45	3.00	108.0	125.0	187.0	159.000	119.000	13.3	3300	...	3900	5.6700
6320	100	215	47	3.00	113.0	113.0	200.0	174.000	140.000	13.3	3200	...	3700	6.9545
6321	105	225	49	3.00	118.0	138.0	212.0	184.000	154.000	13.2	2600	2000	3200	8.0900
6322	110	240	50	3.00	124.0	144.0	225.0	215.000	192.000	13.1	2400	...	5300	11.4400
6324	120	260	55	3.00	134.0	159.0	245.0	255.000	247.000	13.1	2200	...	5000	14.0500
6326	130	280	58	3.00	148.0	172.0	262.0	281.000	284.000	13.2	2200	...	4500	17.0500
6328	140	300	62	3.00	158.0	185.0	282.0	308.000	324.000	13.2	2000	...	4300	20.8000

★本公司保留修改表中技术规则和其它数据的权利。

深沟球轴承

非标系列

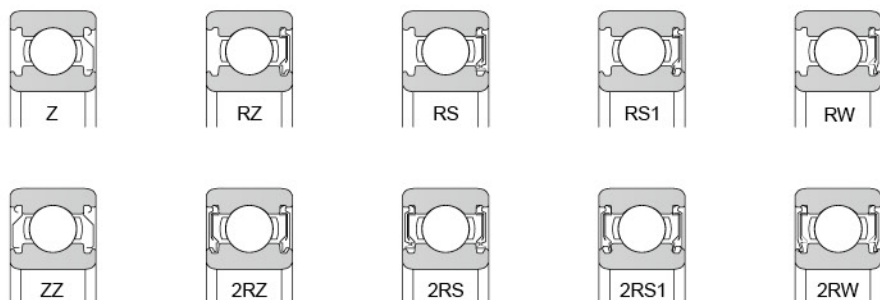


轴承 型号	主要尺寸				推荐安装尺寸				额定基本负荷		因素 f_0	极限转速 (rpm)			重量 kg
	d mm	D mm	开式 mm	闭式 mm	$r_{(最小)}$ mm	$da_{(最小)}$ mm	$da_{(最大)}$ mm	$Da_{(最大)}$ mm	C_r KN	C_{or} KN		脂 ZZ	油 2RS	油 OPEN	
1602	6.350	17.463	6.350	...	0.30	8.2	9.1	15.6	1.610	0.720	12.9	35000	...	41500	0.0159
99502H	15.875	34.925	11.000	...	0.60	19.0	20.0	31.0	7.750	3.600	13.0	24000	...	34000	0.0946
6201-1/2	12.700	32.000	10.000	...	0.60	15.1	17.0	27.0	7.480	3.620	12.3	23000	...	28000	0.0792
6202-5/8	15.875	35.000	11.000	...	0.60	18.5	19.0	30.0	8.310	4.430	13.2	20000	...	25000	0.1012
6202-16	16.000	35.000	11.000	...	0.60	18.8	19.0	30.0	8.310	4.430	13.2	20000	...	25000	0.1012
6203-5/8	15.875	40.000	12.000	...	0.60	19.1	23.5	35.1	10.410	4.790	13.2	18000	...	22000	0.1430
98205	25.000	52.000	9.000	...	1.00	30.0	31.5	47.0	10.690	6.570	15.0	18000	...	28000	0.1804
SC205	25.000	52.000	14.000	...	1.00	30.6	31.5	47.0	14.020	7.880	14.0	18000	...	28000	0.2640
SC0563	25.000	62.000	12.000	...	1.10	32.0	34.5	56.0	16.650	9.590	12.0	16000	...	24000	0.3916
28BCS15	28.000	72.000	18.000	...	1.10	34.0	37.0	65.5	26.820	14.070	13.0	13000	...	21000	0.7546
B15-70	15.000	32.000	11.000	...	0.30	17.0	19.0	30.0	5.850	2.850	13.9	25000	...	29000	0.0660
B14-42	14.000	42.000	13.000	...	1.00	19.8	23.0	37.0	11.900	5.450	12.3	19000	...	22000	0.1804
402082	30.000	72.000	19.000	...	1.10	36.5	43.0	65.5	28.100	16.000	13.3	7900	...	6000	0.7678
MS12	31.750	79.247	22.225	0.874	1.10	44.0	...	78.0	25.500	17.580	13.0	12000	...	17000	...
62001	12.000	26.000	...	10.000	0.30	14.0	16.0	26.0	4.040	1.741	13.7	20000	...	24000	0.0617
S605	5.000	14.000	5.000	...	0.20	6.6	6.9	12.2	1.360	0.556	12.8	40000	38000	50000	0.0035
S607	7.000	19.000	6.000	...	0.30	9.0	10.6	17.0	2.509	1.082	13.0	35000	30000	42000	0.0070
S625	5.000	16.000	5.000	...	0.30	7.0	7.8	14.0	1.730	0.670	12.4	36000	32000	43000	0.0049
S689	9.000	17.000	5.000	...	0.20	10.6	11.45	14.3	1.571	0.678	14.4	36000	24000	43000	0.0038
695NN	5.000	13.000	4.000	...	0.20	6.6	7.70	11.4	1.168	0.504	12.7	44000	38000	51000	0.0021
695D16	5.000	16.000	4.000	...	0.20	6.6	7.70	14.4	1.168	0.504	13.5	44000	38000	51000	0.0044
S696	6.000	15.000	5.000	...	0.20	7.8	7.8	14.0	1.730	0.670	12.4	36000	32000	43000	0.0037
6901D22	12.000	22.000	6.000	...	0.30	14.0	15.0	20.0	2.415	1.322	14.8	30000	18000	34000	0.0080
6902D26	15.000	26.000	7.000	...	0.30	17.0	17.9	24.0	3.861	2.120	14.6	28000	17000	32000	0.0120
6903-18	18.000	30.000	7.000	...	0.30	20.0	22.0	28.0	3.552	2.432	15.6	24000	13000	17000	0.0170
6001D32	12.000	32.000	8.000	...	0.30	14.0	16.0	30.0	5.610	2.810	13.2	29000	23000	33000	0.0320

★本公司保留修改表中技术规则和其它数据的权利。

非标系列

能满足任何密封形式的组合



轴承 型号	主要尺寸				推荐安装尺寸				额定基本负荷		因素 f_0	极限转速 (rpm)			重量 kg
	d mm	D mm	B mm	C mm	$r_{(最小)}$ mm	$da_{(最小)}$ mm	$da_{(最大)}$ mm	$Da_{(最大)}$ mm	C_r KN	C_{or} KN		脂 ZZ	油 2RS	油 OPEN	
88507	35	72	25	17	1.10	41.0	45.0	65.5	29.390	18.250	13.8	10000	7100	12000	0.6906
88508	40	80	27	21	1.50	46.0	51.0	73.5	31.750	21.510	14.0	8800	6600	10000	0.9464
88509	45	85	27	21	2.00	51.0	55.5	78.5	34.880	24.270	14.4	7200	6300	9000	1.1000
88509A	45	85	23	19	2.00	51.0	55.5	78.5	34.880	24.270	14.4	7200	6300	9000	1.1000
T88509	45	85	23	19	1.10	51.0	55.5	78.5	34.880	24.270	14.4	7200	6300	9000	...
88510	50	90	30	22	1.10	56.5	60.0	83.5	38.030	27.690	14.4	7100	6000	8300	1.2170
88511	55	100	31	23	2.00	62.0	67.0	92.0	42.290	31.570	14.3	6100	5400	7500	1.6720
88512	60	110	36	22	1.50	68.0	75.0	102.0	51.750	39.220	14.3	6000	4900	7300	1.7446

★本公司保留修改表中技术规则和其它数据的权利。